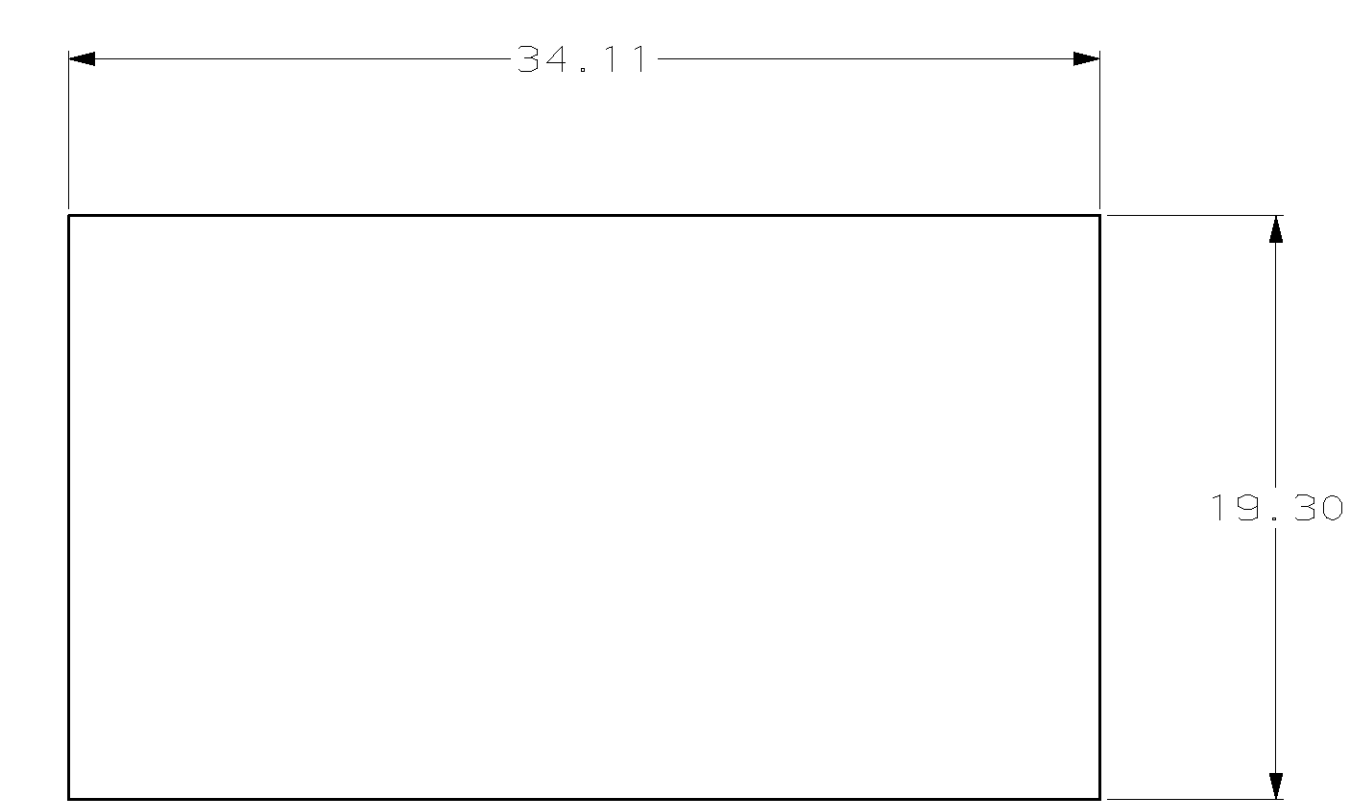
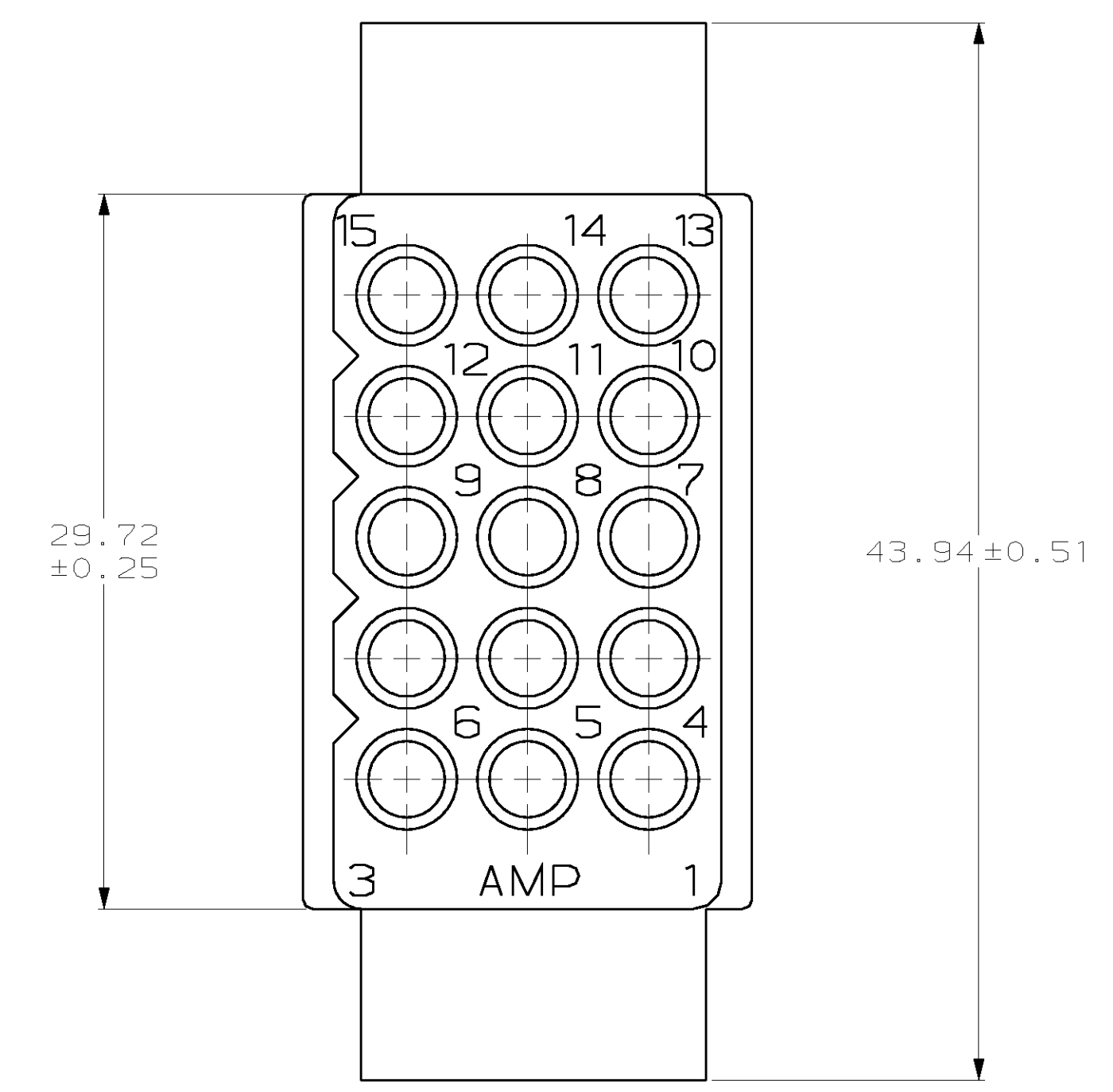
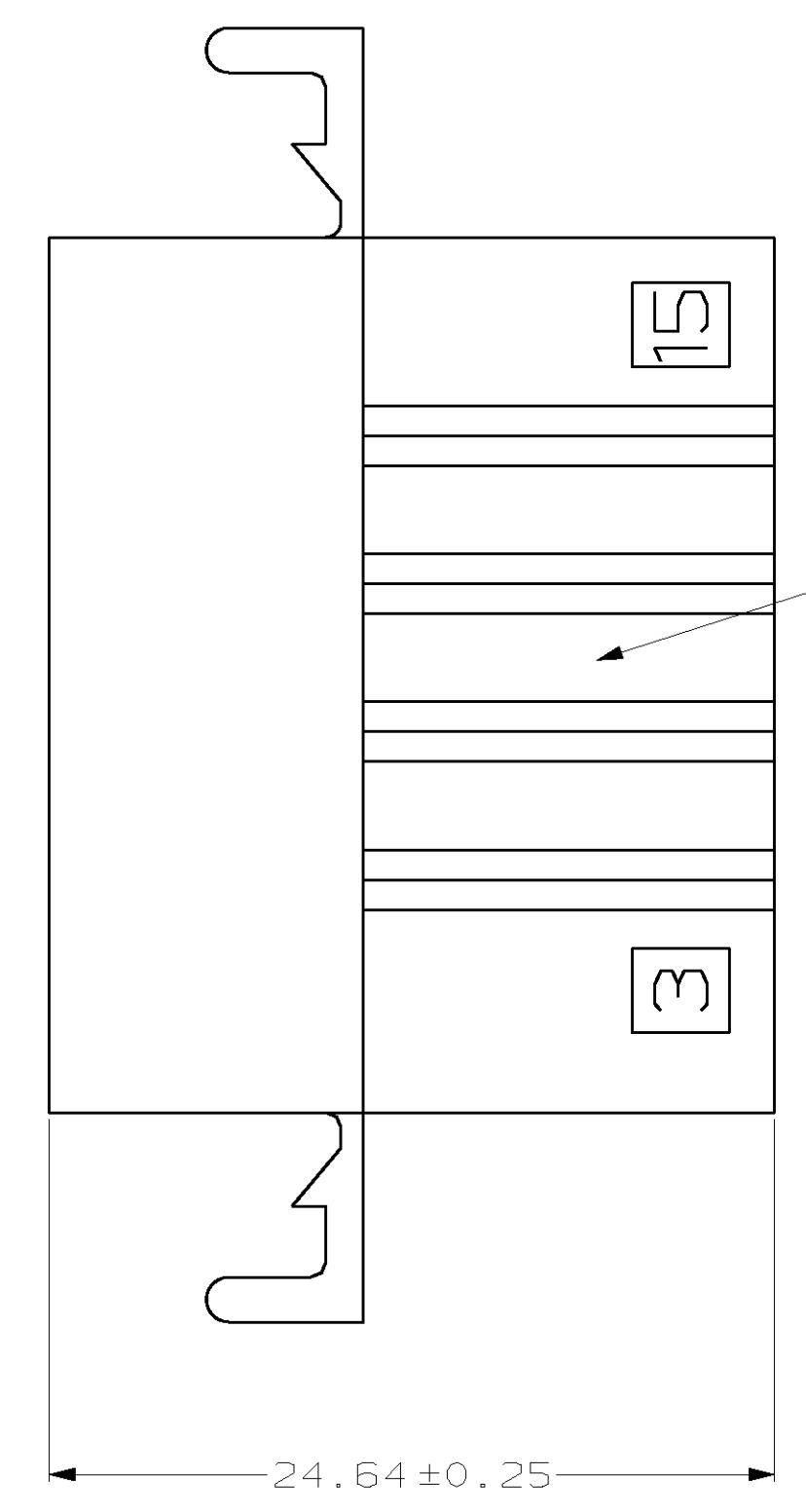
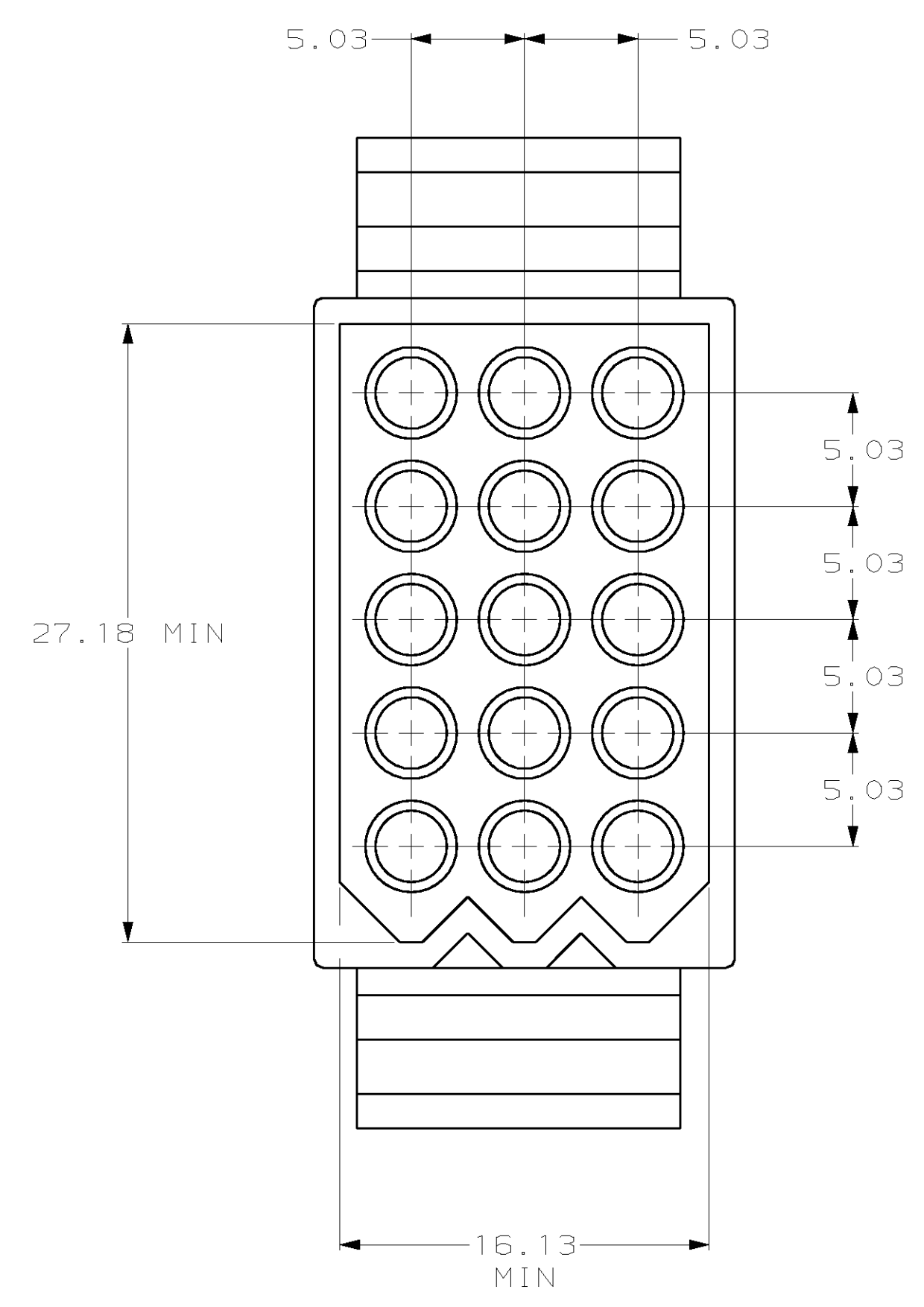
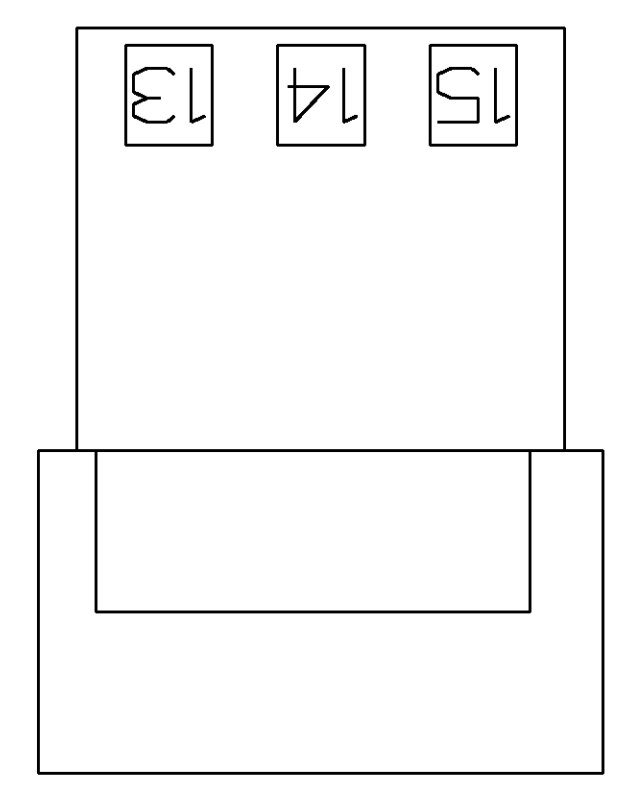
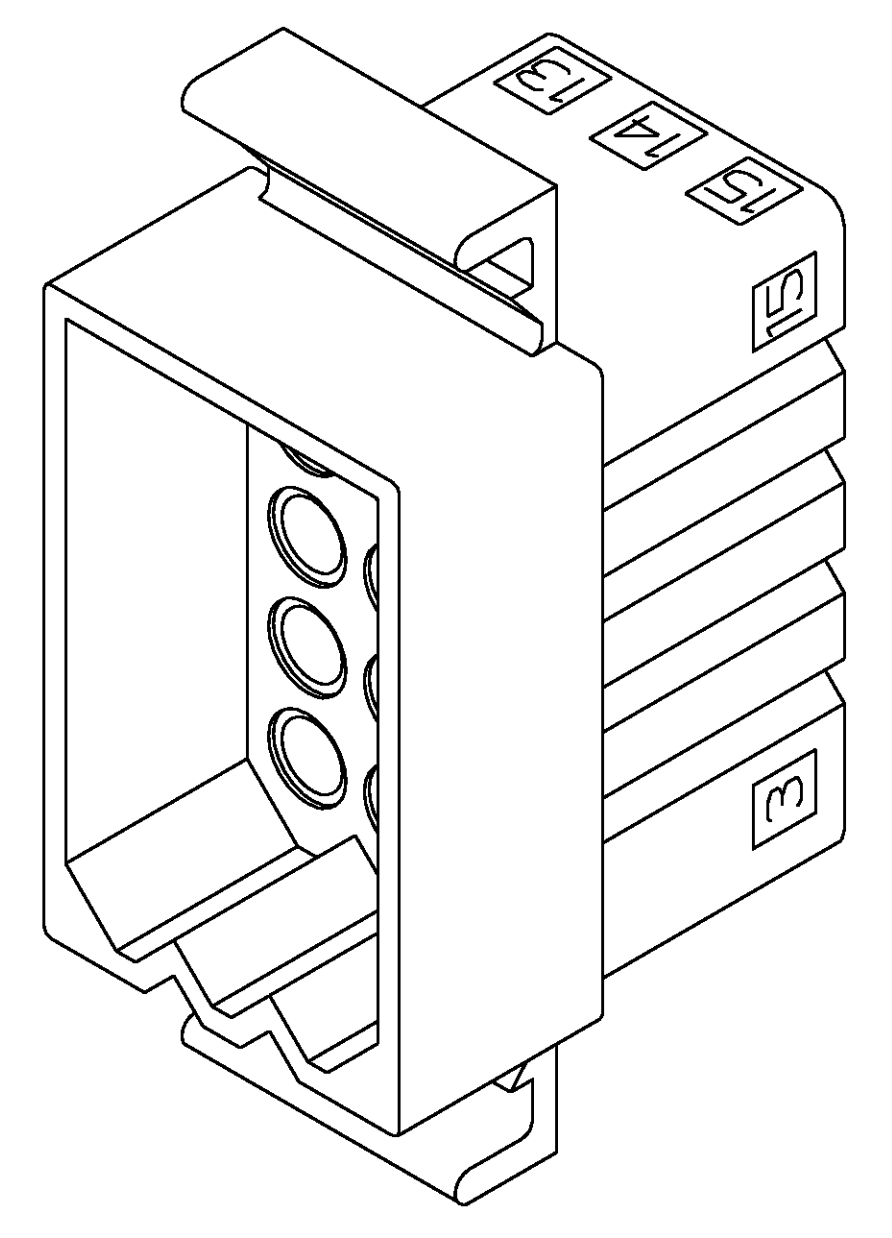


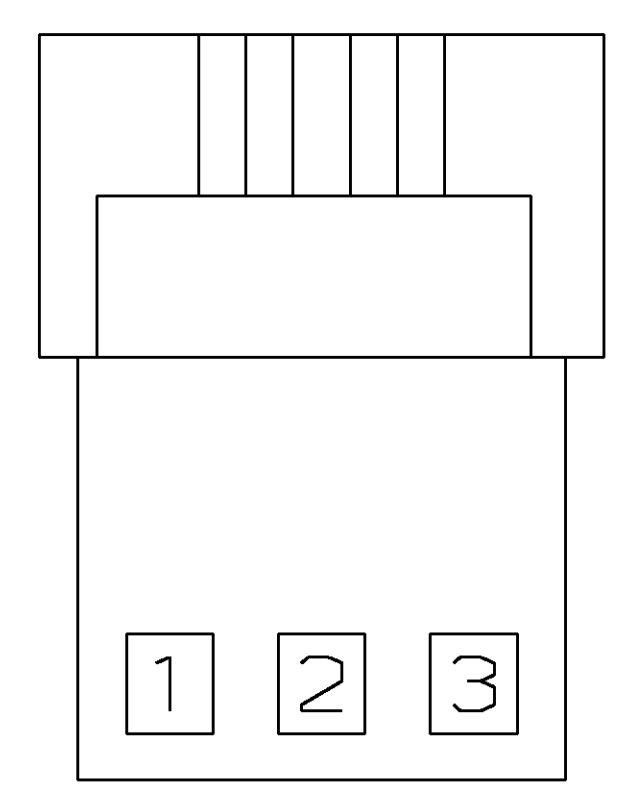
1. RECOMMENDED PANEL THICKNESS 2.29 MAX.  
 2. MARKING FOR UL LOGO AND CSA LOGO LOCATED APPROXIMATELY AS SHOWN.



RECOMMENDED PANEL CUT OUT



3-DIMENSIONAL MODEL  
 NTS



16.13	.635	-	-
5.03	.198	43.94	1.730
2.36	.093	34.11	1.343
2.29	.090	29.72	1.170
0.51	.020	27.18	1.070
0.25	.010	24.64	.970
0.13	.005	19.30	.760
MM	IN	MM	IN

CONVERSION TABLE



THIS DRAWING IS A CONTROLLED DOCUMENT.		DWN K. WHITAKER	04-JUN-1999	<b>AMP</b> AMP Incorporated Harrisburg, PA 17105-3608
DIMENSIONS: mm		CHK: J. SCHLUNZ	04-JUN-1999	
TOLERANCES UNLESS OTHERWISE SPECIFIED:		APVD: J. SCHLUNZ	04-JUN-1999	NAME PLUG, 15 CIRCUIT, .093 COMMERCIAL PIN AND SOCKET
0 PLC ± 1 PLC ± 2 PLC ±0.13 3 PLC ± 4 PLC ±		PRODUCT SPEC		RESTRICTED TO
MATERIAL NYLON, JL 94V-2, NATURAL		APPLICATION SPEC		SIZE CAGE CODE DRAWING NO
FINISH -		WEIGHT -		A100779C-770106
CUSTOMER DRAWING		SCALE 4:1		SHEET 1 OF 1 REV F

770106-1  
 PART NUMBER